

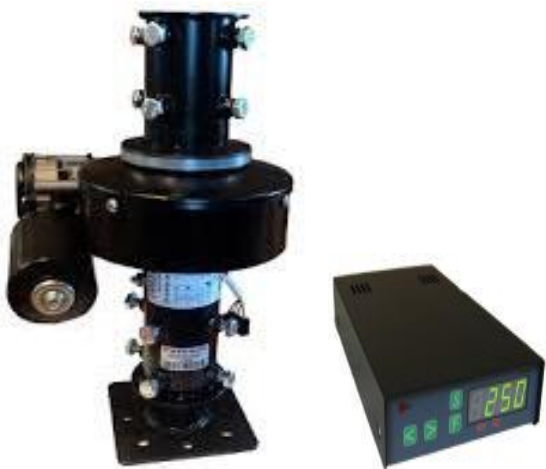
Big RAK

Heavy Duty Azimuth Rotator

Complexity is reduced to a minimum by utilizing a simple double worm gear drive

* 13.8 to 18 volts DC.

* Position readout is sensed by a reed switch.



Ideal for:

- Most standard beam antennas
- 3 - 4 element Tri-bander
- Long Boom Mono Bander Beams
- Can be run from 13.8 volts
- Portable / Rover or Fixed operation

Works with all Alfa controllers
Standard Rot1 or MD-01/02

Low Voltage - DC motor, Worm Drive, high torque.

Uses inexpensive 4 conductor low voltage cable.

Able to work long runs > 600 m (~2000 ft)

Remote relay operation possible.

Sealed reed switch sensor technology for reliable all weather readout. (no potentiometers to fail)

Rated for large loads even when mounted outside the tower.

Designed for simple mounting to ~66 mm (2.6") pipe mast - both ends

Adapters available to mate with common rotator bolt patterns.



Rot1Prog Controller

Manual, Automatic, Scanning and Programmable modes.

Digital readout with 0.5 degree resolution.

Large easy to read soft green LED display.

Computer USB interface ability included.

Low voltage operation from any 13.8 to 18 volt source (typically 2-5 amps).

Easy to interface computer control, open protocol.

Ideal for camping, DX'peditions, VHF/UHF Roving, Portable, Disaster and Field Day operations. Can be zeroed at any position to allow for installation inaccuracy or antenna mount slippage.

Generous over travel (+/-180) with electronic limits. Total of 720 Degree.

Programmable limits ideal for side mount applications.

Small front panel to simplify stacking several units takes up less valuable space.

Mouse control with 6 user programmable presets. Works with most Logging programs.

Normal 360

- 180

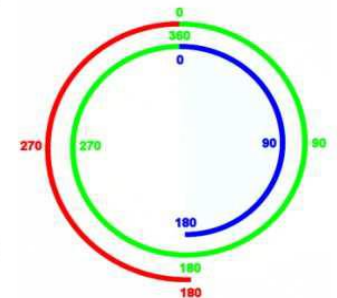
or

+540 from

North 0

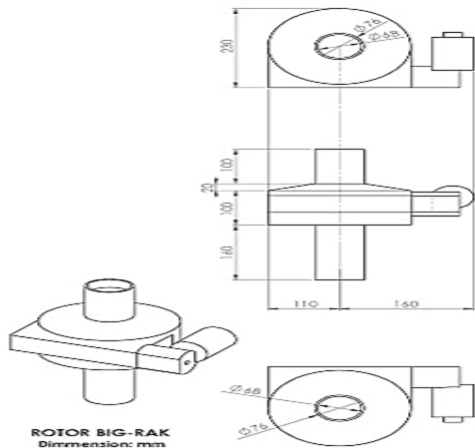
for

total of 720



Big RAK Specifications

Torque Voltage dependent
13.8 volts ~565 N m 5000 lb in.
Rotation speed ~120 sec for 360
Degree @ 12 volts
18 volts ~904 N m 8000 lb in.
Rotation speed ~60 sec for 360
Degree at 24 volts
Braking Torque ~2712 N m (24,000
in lb)
0.5 degree positioning resolution-
Tight tolerances for minimal play
Double worm drive
Quiet & powerful self brake action
Heavy duty bearings
Pipe to pipe mount
Overall height ~355 mm (13.9 in)
Top pipe opening ~66 mm (2.6 in)
Bottom pipe opening ~66 mm (2.6 in)
Centre to widest point is ~203 mm
(8 in)
Coax can pass through centre of
rotator.
Real steel housing & final gear
drive



Owned & Operated
by Amateur Radio Operators

We Are, We Know,
We do Communication
World Wide Without Wires!



Alfa Radio Ltd. 11211 154 Street
Edmonton, AB. Canada T5M 1X8
Phone: 780-466-5779
www.alfaradio.ca
e-mail: sales@alfaradio.ca

Alfa Radio Ltd.

Home of the
Alfa Rotator

Big RAK

Azimuth Rotator



RADIO AMATEURS
SERVING
RADIO AMATEURS