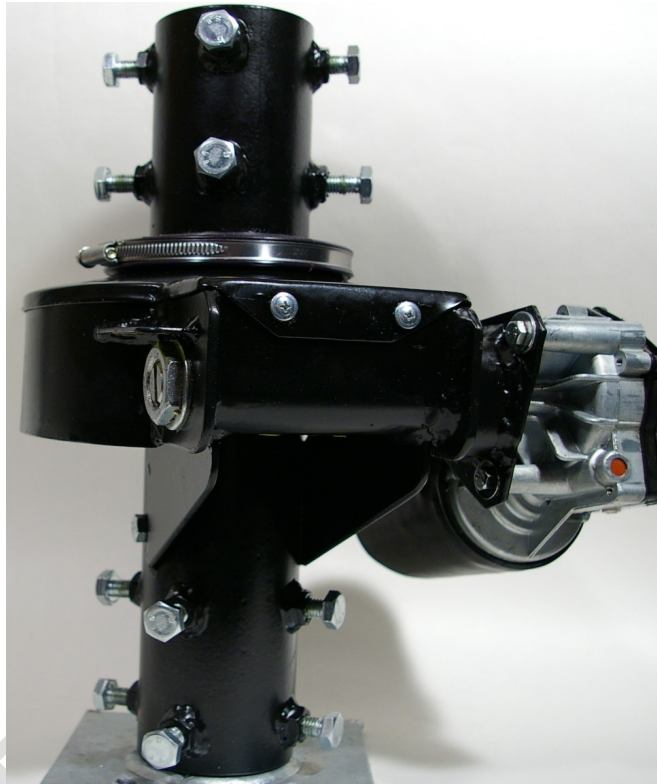


Alfa Radio Ltd.

11211 - 154 St. Edmonton, Alberta, Canada T5M 1X8
sales@alfaradio.ca 780-466-5779 www.alfaradio.ca



Alfa RAU RAK BIG-RAK Rotators



Revised 12 APR 2022

<http://www.alfaradio.ca>

This manual is for use with units sold by Alfa Radio Ltd. of Edmonton, Alberta, Canada on or after March 1, 2022. Units sold by others may have different firmware and may operate using different voltages.

Alfa Radio Ltd.

11211 - 154 St. Edmonton, Alberta, Canada T5M 1X8
sales@alfaradio.ca 780-466-5779 www.alfaradio.ca



Table of Contents

1 INTRODUCTION.....	3
2 SPECIFICATIONS.....	4
3 INSTALLATION ALFA RAU RAK BIG-RAK ROTATORS.....	5
3.1 WIRING.....	5
3.2 USING THE ALFA ROTATOR ON LONG CABLE RUNS.....	7
3.3 ROTATOR MOUNTING BOLTS.....	8
4 ROTATOR TESTING:.....	9
5 ROTATOR TROUBLESHOOTING.....	10
6 REPLACING REED SWITCH SENSOR.....	12
12 MONTH LIMITED WARRANTY.....	14

Alfa Radio Ltd.

11211 - 154 St. Edmonton, Alberta, Canada T5M 1X8
sales@alfaradio.ca 780-466-5779 www.alfaradio.ca



1 Introduction

Alfa Radio sells three azimuth only rotators - the RAU for light duty applications, the RAK for medium duty applications and the BIG-RAK for applications that require a heavy duty rotator

These rotators use a double worm gear drive for reliable service which eliminates the requirement for a separate braking mechanism. The main worm gear, the main bearing and the outside case of each Rotator is made of steel, making it very rugged and giving it a long life expectancy. Each Rotator's surface is covered with a powder coated paint, protecting against corrosion and each rotator will work with controllers Rot1Prog and/or MD-01/02.

Alfa Radio Ltd.

11211 - 154 St. Edmonton, Alberta, Canada T5M 1X8
sales@alfaradio.ca 780-466-5779 www.alfaradio.ca



2 Specifications

ROTATOR	RAU	RAK	BIG-RAK
Rotating Torque Rot1 Prog @ 18V MD-01/02 @ 24V	900 in lb or 102 N m 1800 in lb or 203 N m	1800 in lb or 203 N m 3240 in lb or 366 N m	8000 in lb or 904 N m Contact Alfa
Braking Torque	8,000 in lb or 904 N m	14,000 in lb or 1582 N m	24,000 in lb or 2712 N m
Vertical Load in lb/Kg	350 lb or 159Kg	550 lb or 249 kg	>700 lb or 318 kg
Brake Type	Double Worm	Double Worm	Double Worm
Encoder type	Magnetic Reed Switch	Magnetic Reed Switch	Magnetic Reed Switch
Resolution	1 pulse/degree	1 pulse/degree	1 pulse/0.5 degree
Rotating Angle	360 Degree +/- 180 (720 Degree Total)	360 Degree +/- 180 (720 Degree Total)	360 Degree +/- 180 (720 Degree Total)
Rotating Time for 360 Degrees Rot1Prog @ 18V MD-01/02 @ 24V	45 Seconds	90 Seconds 45 Seconds	240 Seconds 145 Sec onds
Electric Motor	12V	12V	12V
Environment	-20 +50 Degree C	-20 +50 Degree C	-20 +50 Degree C
Mass of Rotator	18 lb or 8 Kg	26 lb or 12 Kg	33 lb or 15Kg



3 INSTALLATION Alfa RAU RAK BIG-RAK Rotator

3.1 Wiring

The rotator unit must be wired to the control unit with 4-wire cable. The gauge of the 4-wire cable to connect the control unit to the rotator depends upon the distance between rotator and controller. The wire for the impulse sensing may be quite thin - #22 or similar, even for relatively long distances. Motor wire should be as follows:

<u>Length (distance)</u>	<u>Gauge</u>
10 m (32')	#18 (1.02 mm)
30 m (100')	#16 (1.29 mm)
60 m (200')	#14 (1.63 mm)

Connection to RAU and RAK Rotators



TIP:

Before final installation of equipment, it is strongly suggested you check out all functions and connections on a workbench.



CAUTION!:

Do not accidentally switch the motor wires with the impulse wires. Damage to the control unit may occur!

Remove cover from the motor body as shown and make connections as follows:

- 1 - Motor Drive to 1 on controller connector
- 2 - Motor Drive to 2 on controller connector
- 3 - Impulse Sense to 3 on controller connector
- 4 - Impulse Sense to 4 on controller connector

Alfa Radio Ltd.

11211 - 154 St. Edmonton, Alberta, Canada T5M 1X8
sales@alfaradio.ca 780-466-5779 www.alfaradio.ca



Connection to BIG-RAK Rotator



On the terminal strip in the picture to the left, pin 1 is on the left end and pin 4 is on the right end. Connect the wires to the controller as described above.

You can verify this with an ohmmeter and measuring the resistance between

pins 1 and 2 and between pins 3 and 4. Expected values are in the table in section 5 of this manual.

When installing any rotator, care must be taken to ensure that the antenna cable is installed, so that it is not damaged while the antenna is rotated through it's normal operating angular travel. When installing an Alfa Rotator, that normal operating angular travel can be up to 720 degrees.

Note:

When using Switch Mode power supplies, be aware that inrush current from the rotator motor may trip the power supply overcurrent protection circuits.

In case of trouble, refer to section 5 for help.

Alfa Radio Ltd.

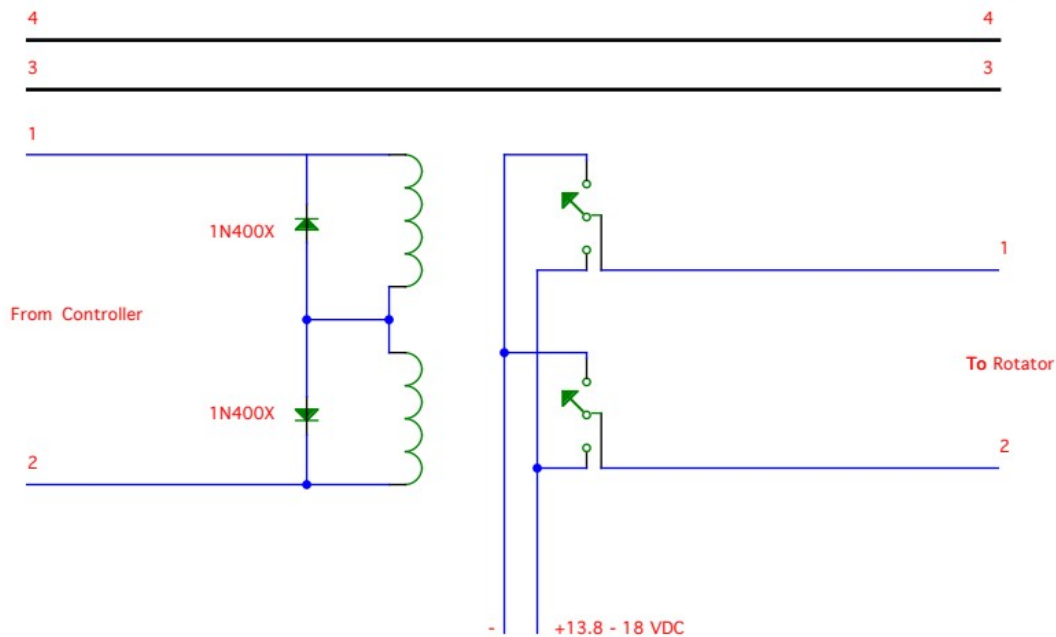
11211 - 154 St. Edmonton, Alberta, Canada T5M 1X8
sales@alfaradio.ca 780-466-5779 www.alfaradio.ca



3.2 Using the Alfa Rotator on long cable runs

Since the motor uses relatively low DC voltage, a combination of long cable runs and/or thinner than required cable may reduce the voltage at the motor to an unacceptably low value. It may turn in warm weather or light winds, but the power will not be available to rotate under severe conditions.

While it is easy to recommend installing heavier cable, this may be costly, impractical or both. Don Moman VE6JY, at his contest station, northeast of Edmonton, has a tower that is just over 1700 feet (500 meters) away from the shack. At this distance, the only cost effective alternative was to run 22 gauge underground telephone cable and use relays to switch power from a power supply at the base of the tower. The power supply needs to have enough voltage to supply 13.8 to 18 volts at the motor at 3 to 8 amps. Don uses a battery that is charged by the remaining unused conductors in the telephone cable.



Relays chosen should be suitable for the proper coil voltage, as well as appropriate current carrying capacity of the contacts. A relay capable of 5

Alfa Radio Ltd.

11211 - 154 St. Edmonton, Alberta, Canada T5M 1X8
sales@alfaradio.ca 780-466-5779 www.alfaradio.ca



to 10 amps DC is adequate. The diodes are general-purpose 1 amp style such as the 1N400X series.

amp

This information is presented as a guide to help the user realize a solution to the long cable run situation.

3.3 Rotator Mounting Bolts

All mounting bolts on the Alfaspid Rotators are Metric.

Rotator	Bolt Size	Thread Pitch	Length	Wrench or Socket
RAU	M8	1.25	20mm	13mm
Mini-RAS	M8	1.25	25mm	13mm
RAK - RAS	M10	1.5	25mm	17mm
BIG-RAK or BIG-RAS	M10 M12	1.5 1.75	25mm 25mm	17mm 19mm

Alfa Radio Ltd.

11211 - 154 St. Edmonton, Alberta, Canada T5M 1X8
sales@alfaradio.ca 780-466-5779 www.alfaradio.ca



4 Rotator Testing:

It is highly recommended that the rotator controller and rotator be setup on the bench before installing on a tower. This will give the operator a chance to become familiar with the equipment.

The ROT1Prog controller is normally expected to be operated from a 13.8 Volt DC supply. However, it may be operated from other unregulated DC or AC sources as well. DC or AC voltage levels between 13.8 and 18 Volts capable of at least 5 Amps are acceptable - typically 13.8 Volts.

The polarity of the power to the control box input leads is not critical for D.C. operation. A diode rectifier on the input will provide the proper polarity to the electronics and provide reverse polarity protection as well as A.C. operation.

TIP: Because of several steering diodes in the motor path, the voltage delivered to the motor (neglecting wire loss) will be about 1.4 volts less than the power supply voltage. For longer runs and/or thin wiring, a higher voltage (up to approx. 18V) to the control unit is beneficial. A simple way to estimate if the voltage to the motor is adequate, is by timing the rotation. Under no or a very small load, the 360 degree rotation time with 18V DC or 24V DC are noted in the specifications in section 2. A DC Ammeter in the motor lead is also useful. It should indicate between 1 and 3 amps with a small load. On windy days or a heavy load, the current may fluctuate up to 3 to 5 amps.



It is highly recommended to ground the Controller.

Once set up, check the Azimuth when looking at the rotator from above:

Pressing should make the rotator move clockwise.

Pressing should make the rotator move counter-clockwise.

If rotation is reversed, switch lines 1 and 2 on the back of the controller or at the Rotator.

Impulse sense lines (3 & 4) have no polarity concerns.

Part of the overload protection circuitry involves cutting power to the motor, if the controller does not receive a sense indication. If the motor turns for a few seconds and then stops, the motor has either stalled or there is a problem in the reed switch sense wiring.

Alfa Radio Ltd.

11211 - 154 St. Edmonton, Alberta, Canada T5M 1X8
sales@alfaradio.ca 780-466-5779 www.alfaradio.ca



5 Rotator Troubleshooting

If, for some reason, your Alfa rotator is not operating correctly, these are some troubleshooting tips.

Before contacting Alfa Radio Ltd., please try the following tests:

It is important to confirm correct operation before installation on the tower.

Check the Limits for Min Angle and Max Angle settings and rule out overlap. Defaults are +180 and -180.

Simple resistance tests can reveal incorrect or shorted wiring.

Pins 1 and 2 are the motor winding and will have a low resistance. A typical reading will be 2-3 ohms.

Pins 3 and 4 are the sensor lines and will typically have either an open circuit or have from 600 to 1200 ohms depending on the status of the reed switch in the rotator and the length and gauge of wire used.

There should be no conductivity between 1 and 3 or 1 and 4, or between 2 and 3 or 2 and 4

All lines should have no conductivity to ground between 1 and 3, 1 and 4, 2 and 3, or 2 and 4.

**** Be careful not to overwind your coaxial with the next test, as there will be no protection from over-turning.**

Find a small 12 volts supply that will deliver 3 to 4 amps. (A small 12 Volt battery will work just fine and is easy to take up the tower.) To confirm that the motor runs, you may connect 12 volts D.C. to the lines that go to the motor (pins 1 and 2). It should turn. Reversing the 12 Volts D.C. should cause the motor to turn in the reverse direction.

To confirm that the sense circuit in the rotator is working, connect an ohmmeter to the sensor lines, (pins 3 and 4), apply 12 volts to the motor lines (pins 1 and 2). You should see the ohm meter reading alternate between open circuit and from 600 to 1200 ohms.

Pin on Rotator	Typical Reading	Your reading	
----------------	-----------------	--------------	--

Alfa Radio Ltd.

11211 - 154 St. Edmonton, Alberta, Canada T5M 1X8
sales@alfaradio.ca 780-466-5779 www.alfaradio.ca



(not controller)			
Pins 1 to 2	About 2 to 4 Ohms	-----	Depends on the length of wire to rotator
Pins 3 to 4	Open or from 600 to 1200 Ohms	-----	Depends on the status of the reed switch
Pins 1 to 3	Open	-----	
Pins 1 to 4	Open	-----	
Pins 2 to 3	Open	-----	
Pins 2 to 4	Open	-----	
Pin 1 to Ground	Open	-----	
Pin 2 to Ground	Open	-----	
Pin 3 to Ground	Open	-----	
Pin 4 to Ground	Open	-----	

Voltage on controller			
Pins 1 to 2	About 12 volts with motor running		Depends on the supply voltage (14 volts applied)
Pins 3 to 4	About 8.5 volts or 2.5 volts		Depends on the status of the reed switch and the Supply voltage

Alfa Radio Ltd.

11211 - 154 St. Edmonton, Alberta, Canada T5M 1X8
sales@alfaradio.ca 780-466-5779 www.alfaradio.ca



6 Replacing Reed Switch Sensor:

After completing the troubleshooting test in Section 5 above and determining that the Reed Switch sensor is faulty, replacing the Reed Switch is relatively easy.

It is recommended that this process be done on a bench and not with the Rotator mounted on the tower.

Step 1 : Remove the cover from the motor at the location where the control cable enters the Motor. The Terminal strip for connecting the control cable will be exposed.

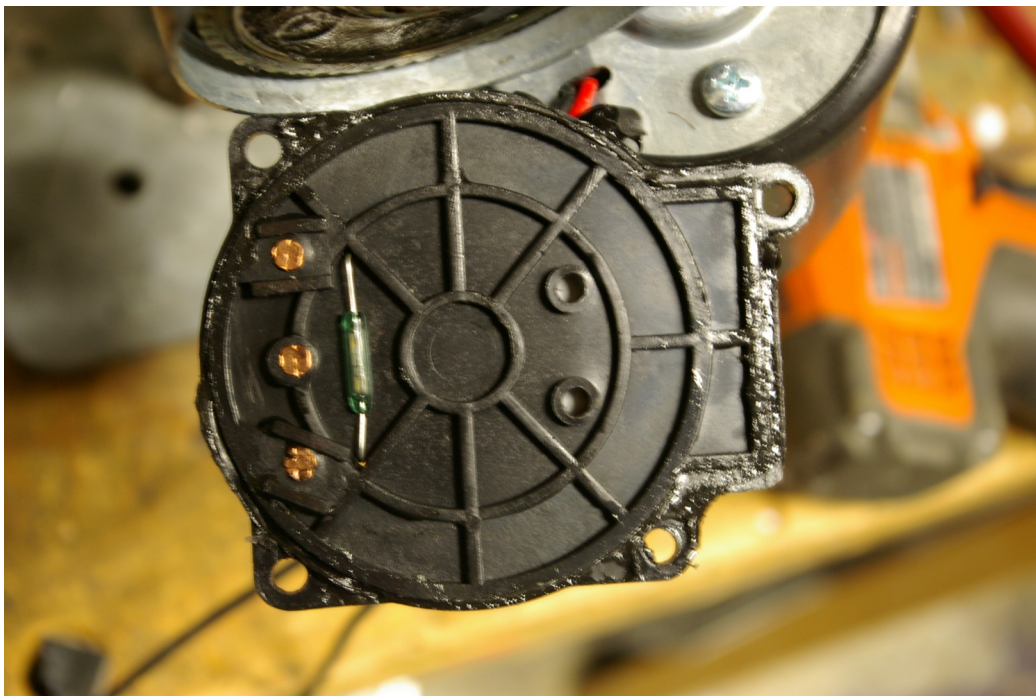


Alfa Radio Ltd.

11211 - 154 St. Edmonton, Alberta, Canada T5M 1X8
sales@alfaradio.ca 780-466-5779 www.alfaradio.ca



Step 2 : Pull down the plastic carrier to expose the Reed Switch which can be seen next to the three copper studs on the left of the picture below.



Simply remove the old reed switch and replace it with a new unit.

These Reed Switches are quite common and can be obtained from most Electronic supply stores throughout the world. As a last resort, contact Alfa Radio for replacement reed switches.

Cautions:

1. Make sure that the flat side of the reed switch is facing you when you look at the switch, as in the picture above.
2. Reed switches are rather fragile. When installing the switch, take extreme care to avoid putting any strain on the glass part of the switch.
3. After installation is complete, be sure to bench test the rotator before re-installing in the tower.

Alfa Radio Ltd.

11211 - 154 St. Edmonton, Alberta, Canada T5M 1X8
sales@alfaradio.ca 780-466-5779 www.alfaradio.ca



12 MONTH LIMITED WARRANTY

Alfa Rotators and controllers

Alfa Radio Ltd. warrants to original purchaser of the product, that the product will be free from defects in material and workmanship for the following periods after such date of purchase: Material - 12 months Workmanship - 12 months.

Alfa Radio Ltd. will, at its discretion, repair or replace free of charge such defective products subject to the following conditions:

1. Delivery of the product **prepaid** to **Alfa Radio Ltd.** or its authorized dealer.
2. Determination by **Alfa Radio Ltd.** that a defect exists and is covered by the limited warranty.
3. Defects due to alteration, repair by an unauthorized person, misuse, accidental damage, lightning strikes, use of the equipment for purposes other than those for which it was designed, and the like, are NOT COVERED by this limited warranty. Repairs in these cases will be subject to normal service charges.
4. Damage to an Alfa rotator or controller caused by using said rotator or controller with a rotator or controller manufactured by any other manufacturer will NOT BE COVERED by this limited warranty.
5. Repairs and replacement parts are covered under this limited warranty only for the remaining term of the original limited warranty.
6. Under no circumstances is **Alfa Radio Ltd.** liable for consequential damages to person(s) or property by the use of this product.
7. **Alfa Radio Ltd.** reserves the right to make changes or improvements in design or manufacture without incurring any obligations to install such changes in any of the products previously manufactured.
8. All claims of defect or shortage should be sent prepaid to:

Alfa Radio Ltd.

11211 - 154 Street, Edmonton, Alberta, T5M 1X8, CANADA

and must be accompanied by a letter describing the problem in detail along with a copy of your proof-of-purchase.

Contact **Alfa Radio Ltd.** before sending.